

# ALTAIR MCI V5

## ROTARY PISTON METER

**DIEHL**  
Metering



### APPLICATION

Domestic rotary piston water meter (only complete meter)

### FEATURES

- ▶ Low noise level
- ▶ System compatibility, with standard applicable pulse output 1 l/pulse. ALTAIR MCI can be extended - with IZAR RADIO (radio module) or IZAR PULSE (pulse transmitter)
- ▶ Any mounting position + no calming sections necessary
- ▶ Low starting flow approximately 0.6 l/h permits recording of very small amounts of water
- ▶ Self-cleaning mechanism of measuring chamber
- ▶ Less exchange time as capsule and screw head is one part
- ▶ Self-cleaning mechanism of measuring chamber
- ▶ Encapsulated roller counter unit rotatable by 350°

# ALTAIR MCI V5

## ROTARY PISTON METER

### METROLOGICAL DATA

Housing			Horizontal	Rising Pipe
Nominal diameter	DN	mm	20	20
Permanent flow rate	Q <sub>3</sub>	m <sup>3</sup> /h	4	4
R standard*	Q <sub>3</sub> /Q <sub>1</sub>		160	160
Starting flow rate		l/h	0.6	0.6
Minimum flow rate*	Q <sub>1</sub>	l/h	25**	25**
Transition flow rate*	Q <sub>2</sub>	l/h	40	40
Maximum flow rate	Q <sub>4</sub>	m <sup>3</sup> /h	5	5
Head loss at Q <sub>3</sub>		bar	0.6	0.6
Kvs (deltaP=Q <sup>2</sup> /Kvs <sup>2</sup> )			4.69	4.69

\* Other values on request

\*\* Based on R 160

### APPROVAL

ALTAIR MCI V5		
MID		LNE - 39018   Type A3
Standards		ISO 4064   EN 14154   OIML R49   UKCA
Dynamic range (Q <sub>3</sub> /Q <sub>1</sub> )	R	40   80   160
Potable water		ACS   AoC DEU   Belgaqua   PZH   WRAS

### REACH

Information pursuant to Article 33 (1) of Regulation (EC) No 1907/2006 of the European Parliament and of the Council of 18 December 2006:

This product series contains components with the following substances in a concentration of more than 0.1% weight by weight (w/w):

- Lead (CAS no.: 7439-92-1)

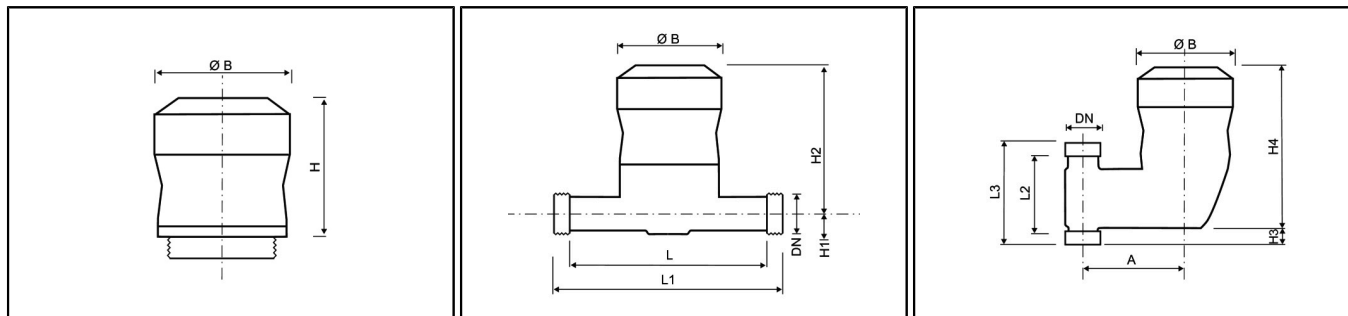
### TEMPERATURE AND PRESSURE

ALTAIR MCI V5		
Water temperature	°C	0.1 ... +50
Ambient temperature	°C	+1 ... +55
Ambient storage temperature	°C	-10 ... +55
Nominal pressure	bar	16

# ALTAIR MCI V5

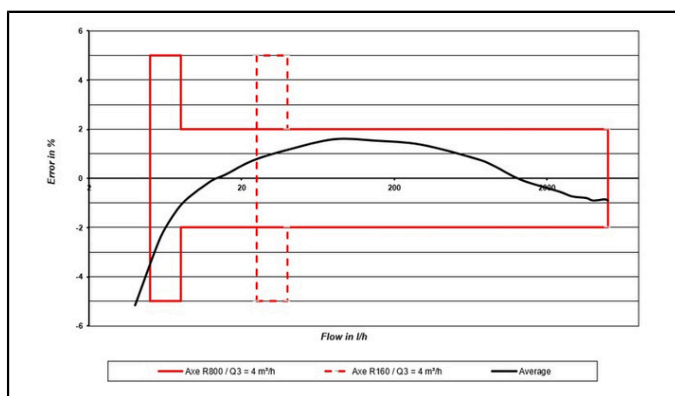
## ROTARY PISTON METER

### DIMENSIONS



Housing			Horizontal	Rising Pipe
Nominal diameter	DN	mm	20	20
Permanent flow rate	Q <sub>3</sub>	m <sup>3</sup> /h	4	4
Length	L	mm	160	-
Overall length (DIN ISO 4064)	L1	mm	190	-
Length	L2	mm	-	75
Overall length rising pipe with thread	L3	mm	-	105
Connection thread on meter		inch	G1B	G1B
Height	H	mm	94	94
Height	H1	mm	23	-
Height	H2	mm	141	-
Height	H3	mm	-	28
Height	H4	mm	-	169
Diameter	Ø B	mm	93	93
Width	A	mm	-	95
Weight of capsule		kg	0.37	0.37
Weight of complete meter (horizontal)		kg	1.33	-
Weight of complete meter (rising pipe)		kg	-	1.75

### PRECISION CURVE



DN20 MCI

### OPTIONS

Glass/metal copper register