

ALTAIR V4 IS

VOLUMETRIC METER

DIEHL
Metering



APPLICATION

ALTAIR V4 IS is a volumetric meter designed to measure the consumption of domestic cold water.

Compact and robust, ALTAIR V4 IS is easy to install and perfectly suited for varying water qualities.

Its integrated radio module enables remote reading of the index and alarms of the meter in mobile mode (walk-by) or fixed network.

Developed within the framework of the MID, it complies with the European regulations and holds sanitary conformity certificates.

FEATURES

- ▶ DN15
- ▶ Q3=2.5 m³/h
- ▶ MID approval up to R=800
- ▶ Starting flow rate: 0.4 l/h
- ▶ Composite and brass body
- ▶ IZAR integrated 868 MHz radio, PRIOS protocol
- ▶ Battery lifetime up to 10 years
- ▶ IP54 - not suitable for wet environment

ALTAIR V4 IS

VOLUMETRIC METER

METROLOGICAL DATA

Nominal diameter	DN	mm	15	15
Length	L	mm	110	110
Housing			Brass	Composite
Nominal flow rate	Q ₃	m ³ /h	2.5	2.5
R standard*	Q ₃ /Q ₁		160	160
Starting flow rate		l/h	0.4	0.4
Minimum flow rate	Q ₁	l/h	15.62	15.62
Transition flow rate	Q ₂	l/h	25	25
Maximum flow rate	Q ₄	m ³ /h	3.125	3.125
Head loss at Q ₃		bar	0.59	0.59
Head loss at Q ₄		bar	0.92	0.92
Kvs (deltaP=Q ² /Kvs ²)			3.25	3.25

*Other values on request.

APPROVAL

ALTAIR V4 IS	
MID approval	LNE-6250 Type A2
Standards	EN 14154 ISO 4064 OIML R49
Sanitary conformity	ACS WRAS

REACH

Information pursuant to Article 33 (1) of Regulation (EC) No 1907/2006 of the European Parliament and of the Council of 18 December 2006:

This product series contains articles with the following substances in a concentration of more than 0.1% weight by weight (w/w):

- Lead (CAS no.: 7439-92-1)

TEMPERATURES AND PRESSURE

ALTAIR V4 IS	
Water temperature	°C +0.1 ... +50
Operating ambient temperature	°C +5 ... +50
Storage temperature	°C -20 ... +55
Nominal pressure	PN bar 16
Degree of protection	IP 54

TECHNICAL DATA IZAR INTEGRATED RADIO

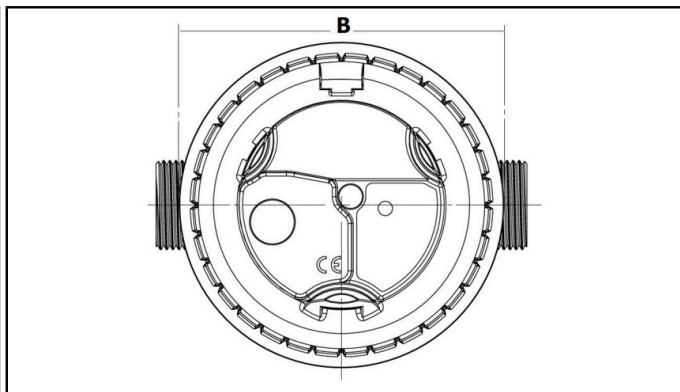
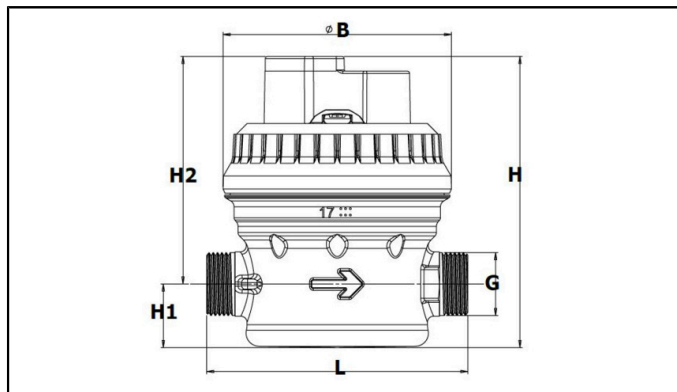
ALTAIR V4 IS	
Communication protocol	PRIOS
Frequency	MHz 868.95 (R3 mode)
Standards	EN 300 220 CE RED directive EN 13757-3/-4
Sending interval	Every 32 seconds
Transmission power	mW 16
Transmission mode	Unidirectional
Radio range	Up to 500 m depending on the environment
Power supply	3 V lithium battery
Typical battery lifetime	Up to 10 years*
Integrated functions	Current index Historical index value Remaining battery lifetime
Alarms management	Leak detection Meter stopped Overflow Underflow Backflow

* Under standard conditions of use and temperature. Theoretical lifetime, not guaranteed.

ALTAIR V4 IS

VOLUMETRIC METER

DIMENSIONS

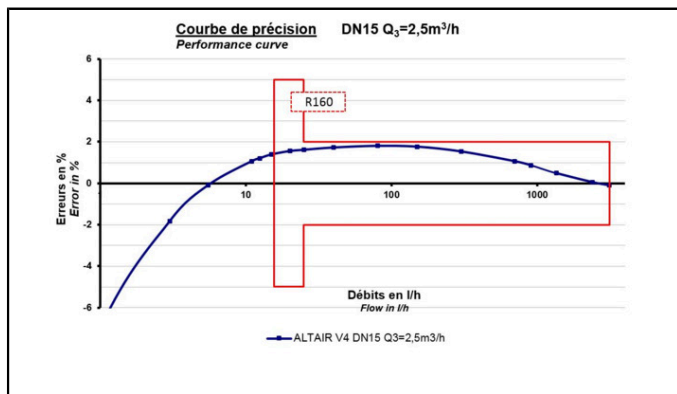


Front view

Top view

Nominal diameter	DN	mm	15	15
Length	L	mm	110	110
Housing			Brass	Composite
Width	B	mm	96.2	96.2
Height	H	mm	123	128
Height	H2	mm	96	100
Height	H1	mm	27	28
Thread connections	G	inch	3/4"	3/4"
Weight		kg	0.89	0.479

PRECISION CURVE



This technology doesn't require straight length.

OPTIONS

- Non-return valve
- Pair of connectors