

ALTAIR V5 DN15/20

ROTARY PISTON METER

DIEHL
Metering



APPLICATION

ALTAIR V5 represents the latest generation of volumetric meters developed within the framework of the MID and European standards to meet field requirements. ALTAIR V5 is a particularly compact and robust meter, adapting to the most restrictive environments and compatible with varying water qualities. Modular ALTAIR V5 can be fitted at any time an IZAR clip-on module converting it into a communicating meter, ready for mobile or fixed network (radio/wired) reading.

FEATURES

- ▶ DN 15 / DN 20
- ▶ Q3 = 1.6 l/h (DN 15) / Q3 = 2.5 l/h (DN 15 and DN 20) / Q3 = 4 l/h (DN 20)
- ▶ MID approval up to R=1000
- ▶ Starting flowrate at <0.2 l/h (DN 15) / 0.4 l/h (DN 20)
- ▶ Brass version (DN 15 and DN 20) and Composite version (DN 20)
- ▶ High dynamic range
- ▶ Installation in any position

ALTAIR V5 DN15/20

ROTARY PISTON METER

METROLOGICAL DATA

Nominal diameter	DN	mm	15	15	15	20	20	20	20	20
Length*	L	mm	110	110	165	190	130	165	175	190
Permanent flow rate	Q ₃	m ³ /h	1.6	2.5	2.5	2.5	4	4	4	4
R standard*	Q ₃ /Q ₁		160	160	160	160	160	160	160	160
Starting flow rate		l/h	<0.2	<0.2	<0.2	0.4	0.4	0.4	0.4	0.4
Minimum flow rate*	Q ₁	l/h	10	15.62	15.62	15.62	25	25	25	25
Transition flow rate*	Q ₂	l/h	16	25	25	25	40	40	40	40
Maximum flow rate	Q ₄	m ³ /h	2	3.13	3.13	3.13	5	5	5	5
Head loss at Q ₃		bar	0.25	0.57	0.57	0.22	0.58	0.58 / 0.62**	0.58	0.58 / 0.62**
Head loss at Q ₄		bar	0.38	0.86	0.86	0.35	0.88	0.88 / 0.98**	0.88	0.88 / 0.98**
kvs (deltaP=Q ² /Kvs ²)			3.24	3.34	3.34	5.33	5.25	5.25 / 5.06**	5.25	5.25 / 5.06**

* Other values on request

** Composite version

APPROVAL

DN 15-20	
Approvals	MID: LNE - 39018 / Type A3 WATERMARK: WM020407 - NMI: P14/3/76 UKCA
Standards	ISO 4064 EN 14154 OIML R49
Sanitary conformity	ACS AoC DEU Belgaqua DM 174 OTH (DN20) PZH WRAS (DN20)

REACH

Information pursuant to Article 33 (1) of Regulation (EC) No 1907/2006 of the European Parliament and of the Council of 18 December 2006:

This product series contains components with the following substances in a concentration of more than 0.1% weight by weight (w/w):

- Lead (CAS no.: 7439-92-1)

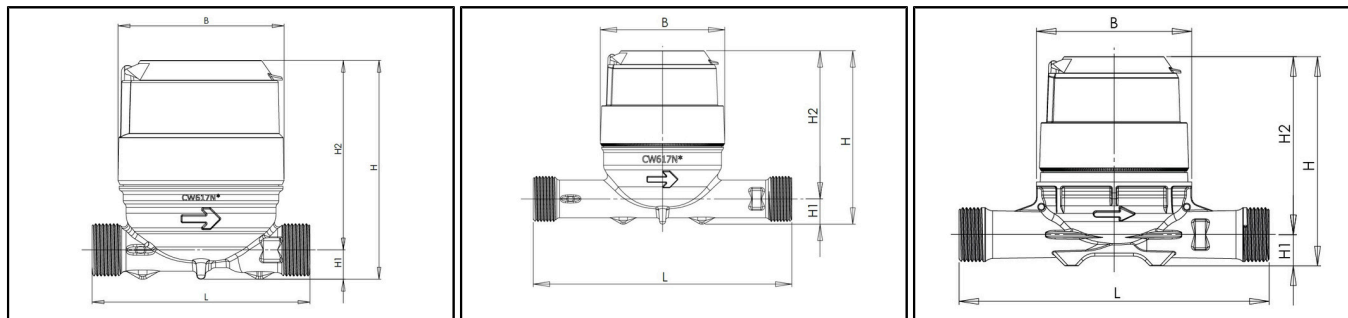
TEMPERATURES AND PRESSURE

DN 15-20		
Water temperature	°C	0.1 ... +50
Ambient operating temperature	°C	+1 ... +55
Storage temperature	°C	-10 ... +55
Nominal pressure	PN bar	16

ALTAIR V5 DN15/20

ROTARY PISTON METER

DIMENSIONS



DN 15 brass

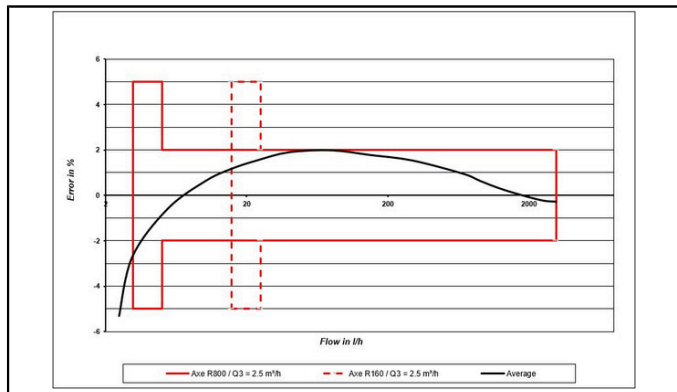
DN 20 brass

DN 20 composite

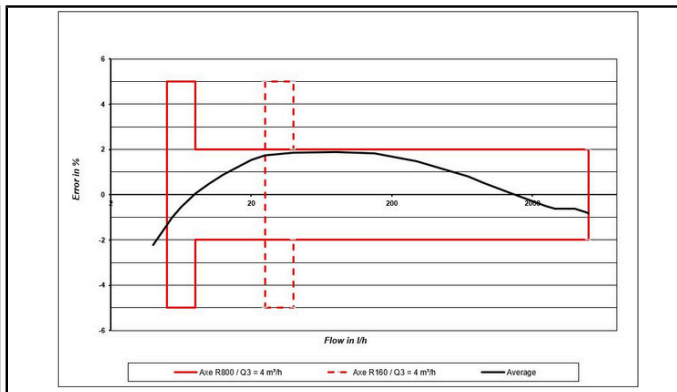
Nominal diameter	DN	mm	15	15	15	20	20	20	20	20
Length*	L	mm	110	110	165	190	130	165	175	190
Permanent flow rate	Q ₃	m ³ /h	1.6	2.5	2.5	2.5	4	4	4	4
Housing			brass	brass	brass	brass / composite	brass	brass / composite	brass	brass / composite
Width	B	mm	83.5	83.5	83.5	91.3 / 95	91.3	91.3 / 95	91.3	91.3 / 95
Height	H	mm	110.1	110.1	110.1	124.4 / 127.7	124.4	124.4 / 127.7	124.4	124.4 / 127.7
Height	H1	mm	14.8	14.8	14.8	18.5 / 19.1	18.5	18.5 / 19.1	18.5	18.5 / 19.1
Height	H2	mm	95.3	95.3	95.3	105.9 / 108.6	105.9	105.9 / 108.6	105.9	105.9 / 108.6
Thread connections		inch	G ³ / ₄ B	G ³ / ₄ B	G ³ / ₄ B	G1B	G1B	G1B	G1 ¹ / ₄ B	G1B
Weight		kg	0.62	0.62	0.68	1.04/0.47	0.93	0.96 / 0.46	1.05	1.04 / 0.47

* Other values on request

PRECISION CURVE



DN 20



DN 20

This technology does not require straight length.

OPTIONS

- Non-return valve
- Pair of connectors
- Glass/metal register