

# IZAR RC i G4 LIGHT

Radio | Radio Module

**DIEHL**  
Metering



## APPLICATION

The new generation of IZAR Radio Compact Inductive G4 LIGHT is designed for mobile reading and long range remote reading of Diehl Metering submetering meters. IZAR RC i G4 LIGHT module can be clipped onto all the meters of the Diehl Metering inductive modular range (Ha+Ti or Ti) with a grey or red ring. It comprises a tamper proof sensor operating on inductive principle. Easy to fit, IZAR RC i G4 LIGHT integrates the standardized OMS protocol and can be field or factory programmable. IZAR RC i G4 LIGHT radio module transmits the meter reading via a unidirectional link in mobile or fixed network mode. IZAR RC i G4 LIGHT offers multiple functions (current index, 1 historical index, estimate of the cumulative volume of the leak) and alarms (meter blocked, low battery, leaks...). This information is sent every 50 seconds.

## FEATURE

- ▶ Compact radio emitter, OMS protocol
- ▶ Suitable for walk-by or fixed network modes
- ▶ Compatible with a modular meter (Ha+Ti or Ti)
- ▶ Available in 868 MHz
- ▶ IP 54
- ▶ Not suitable for wet environment
- ▶ Battery lifetime up to 15 years
- ▶ Insensitive to magnetic fraud
- ▶ 1 historical index with a specific date to simplify billing
- ▶ Cumulative volume of leakage

# IZAR RC i G4 LIGHT

Radio | Radio Module

## PRINCIPLE OF OPERATION

IZAR RC i G4 LIGHT includes an electronic circuit that picks up the data coming from a Diehl Metering water meter and transmits in real time the index and other operating information every 50 seconds in mobile mode R3 and every 15 minutes in long-range fixed network R4.

Mobile reading (Walk-by):

The data sent by IZAR RC i G4 LIGHT is collected using a portable terminal\* equipped with an IZAR RECEIVER BT and transferred directly to a centralized monitoring system..

Fixed network:

A fixed receiver IZAR RDC STANDARD/IZAR RDC BATTERY (small area fixed network network R3) or IZAR RDC PREMIUM (long-range fixed network R4) installed in building, will collect all the data and send it at predefined intervals via GPRS or LAN to a centralized server. Reading via M-Bus application such as an IZAR CENTER together with an IZAR RECEIVER M-BUS and IZAR@NET 2 software is also possible.

(\* IZAR system is also compatible with a tablet. Please contact us for more information.

## TECHNICAL DATA

IZAR RC i G4 LIGHT	
Communication protocol	OMS Volume 2 Version 3.0.1
Frequency	MHz 868.95 (R3 mode) and 868.30 (R4 mode)
Modulation	FSK
Transmission power	mW 16
Transmission mode	Unidirectional
Radio range	Up to 500 m (R3) and 1.5 km (R4) depending on the environment
Approval	EN 300 220, CE, RED directive, EN 13757-3/-4
Power supply	Lithium battery 3.6 V
Battery lifetime	Up to 15 years*

\* Standard conditions of use and temperature. Theoretical life, with no guarantee.

## AMBIENT CONDITIONS

IZAR RC i G4 LIGHT	
Operating temperatures range	°C -15 ... +55
Storage temperatures range	°C -20 ... +70
Degree of protection	IP 54

## PROGRAMMING

IZAR RC i G4 LIGHT	
Interface	Optical IrDa
Alarms management	Leak detection   Mechanical tampering   Meter stopped   Overflow   Underflow   Backflow   Low battery indicator
Functions	Current index + 1 historical index value (yearly, monthly, weekly or daily)   Cumulative volume of leak

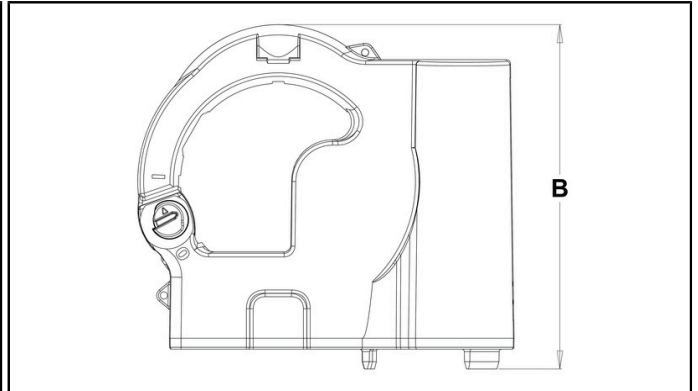
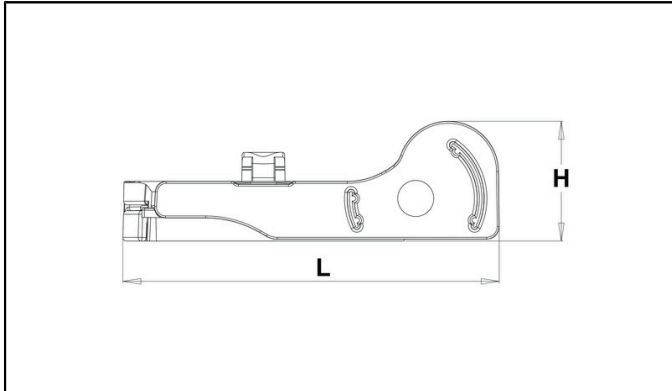
## COMPATIBILITY

IZAR RC i G4 LIGHT	
Meters	Diehl Metering inductive modular range Ha+Ti or Ti (grey ring). Pulse weight DN 15 to DN 40 (1 liter)   Pulse weight DN 50 to DN 125 (10 liters)   Pulse weight DN 150 to 300 (100 liters)   Submetering use only

# IZAR RC I G4 LIGHT

Radio | Radio Module

## DIMENSIONS



IZAR RC i G4 LIGHT			
Length	L	mm	104
Height	H	mm	33
Width	B	mm	95